



LINDSTRANDS



COLLECTION
2020

FOR THE
EXTRA MILE

WHO WE ARE

Lindstrands, established in 1891, began making boots for motorcycle riders back in the 1950s. Still based in Malung, Sweden, Lindstrands has through the years evolved into a strong brand that is synonymous with safety, quality, sustainability and style. Our identity is all Swedish, but our focus is on the needs and demands of the global motorcycle market. After all, **when it works in Scandinavia...it works everywhere.**

Lindstrands makes clothes for those who like to stand out and live life to the full. With an extensive range of garments and accessories, never compromising on safety, Lindstrands epic ride continues with the focus on innovation and design with a Scandinavian touch.

FOR THE
EXTRA MILE



WHY LINDSTRANDS

We use innovative, state-of-the-art textiles and technologies along with a fresh open-minded design philosophy to give you, our motorcycle riders, the best possible solutions no matter the conditions.

Safety and comfort have always been the top priority for the research and development team throughout Lindstrands history. The better the garments feel, the better you can focus on your travel and the more you can enjoy your ride.

Lindstrands is the brand for you, who looks for something other than the mainstream. You, the young at heart who relish adventure and dare to go the extra mile. For you, Lindstrands will not only meet, but exceed every expectation.

SAFETY THROUGH COMFORT

SAFETY THROUGH COMFORT has been our “guiding light” throughout Lindstrands history. The more comfortable the garments are the better you can concentrate on your adventure.

We constantly develop ourselves as well as the materials and technical features in our garments in order to be able to offer the best possible solutions for our riders no matter the conditions.

Lindstrands is the brand for people that relish adventure and who dare to go the extra mile. We want our riders to be, not only, comfortable and safe. We want them to forget they're wearing our gear and just enjoy the ride.

Motorcyclist personal protection comes under the legislation of the EU Regulation 2016/425. This means that all products that are intended to protect the user from one or another hazard must be tested, by an accredited laboratory, to a written CE standard or Regulation. The laboratory issues a CE certificate for each product if it passes the criteria.

Different tests are performed for different products such as gloves, boots, limb protectors, back protectors, etc. Generally, mechanical tests and innocuousness tests are performed according to each CE standard. If the product only provides protection against the seasons, such as rain and wind, it does not need to be tested and certified.

Both the importer and the distributor are responsible for ensuring that the products brought into and placed on the market in the EU are tested and certified.

The people behind the Lindstrands brand are very experienced in developing products in this field and have been at the forefront of developing and testing protective gear for motorcyclists.

Today there are standards for the following product groups:

EN 1621-1 CE standard for impact protection (shoulders, elbows, hips and knees).

EN 1621-2 CE standard for back protection.

EN 1621-3 CE standard for chest protection.

EN 1621-4 CE standard for inflatable protection.

EN 13595 CE standard for motorcycle gloves.

EN 13634 CE standard for motorcycle footwear.

EN 14021 CE standard to protect riders against stones and debris (off-road motorcycling).

EN 17092 CE standard for protective clothing for “private individuals”.

In some standards, the level of protection is stated. **Level 1** indicates the lowest level of protection, and **Level 2** the highest.

Technology CE CERTIFIED PRODUCTS

There are days when things don't go to plan. Only during these times, you start to appreciate the reliability of your motorcycle gear. The EU has finally approved a new standard, EN 17092, "Protective clothes for motorcyclists".



Abrasion and impact certification levels

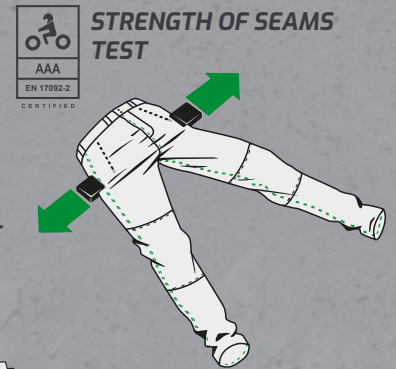
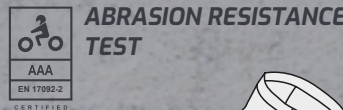
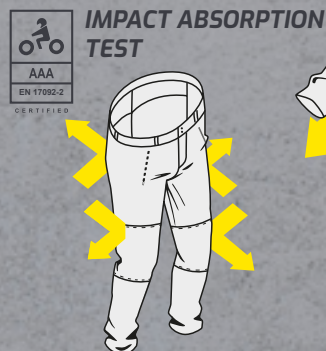


Highest level

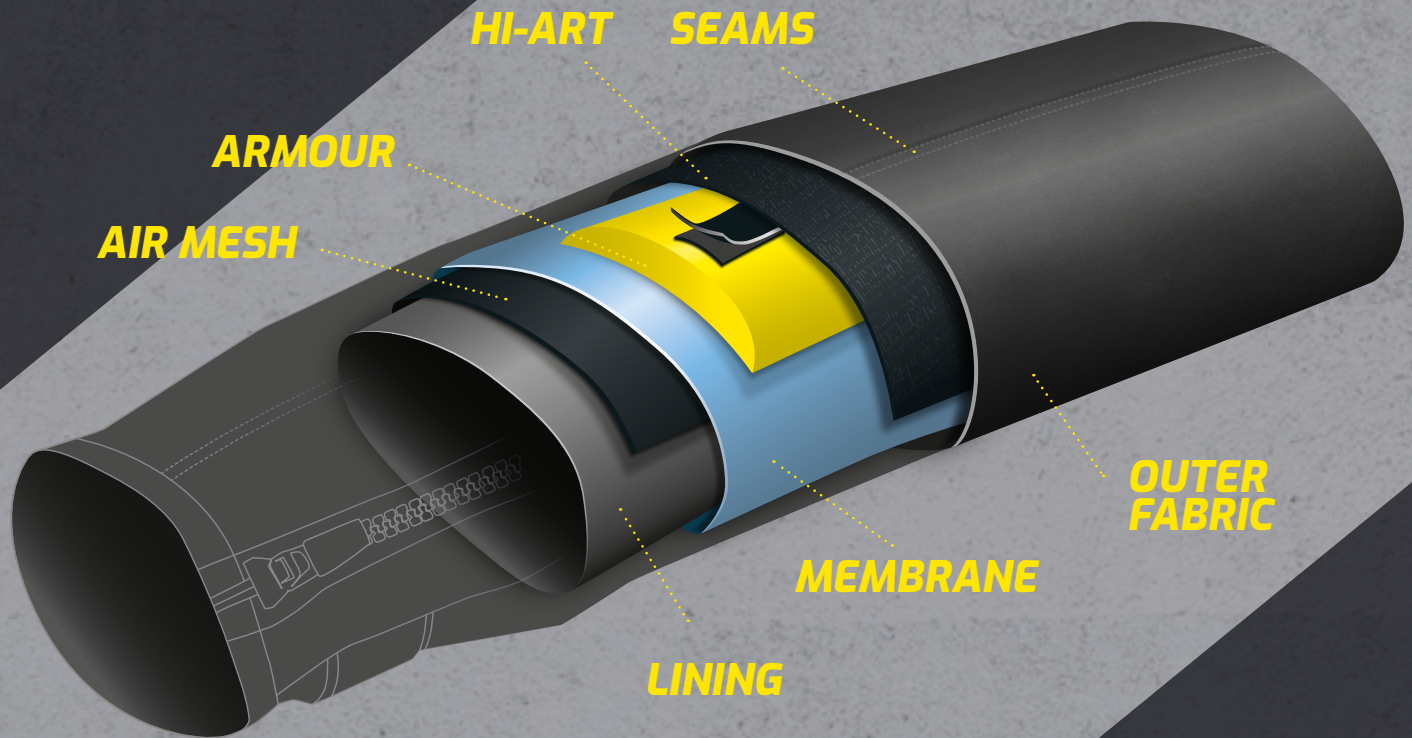
- **Abrasion resistance and impact level (with protectors)**
- **Abrasion resistance level (without protectors)**

Abrasion tests are performed on the construction at three different zones (all layers together) of the garment, excluding the detachable linings. The demands vary in these different parts of the body. Shoulders, elbows, hips, and knees have higher demands than for instant inner thighs or underarms.

AAA is the highest performance level and then AA and A. The criteria for B are the same as for A but without impact protectors. To meet a certain performance level for a product, the results of all mechanical tests must reach the criteria of this level.



BENEATH THE SURFACE



SEAMS

We choose thread to suit the material to make seams as strong as possible. We use Triple Stitch in vulnerable areas of our leather wear.

OUTER FABRIC

The outer fabric is leather or textile with various types of surface treatment.

HI-ART

This is where HI-ART® is located in our garments. Our proprietary material makes garments incredibly resistant to wear, and is used in most of our products.

ARMOUR

Garments that use armour have Velcro sewn into them to keep the armour in place and for ease of adjustment.

MEMBRANE

Some garments also have a sewn-in or removable membrane. Taped seams, naturally.

AIR MESH

We often use Air Mesh behind armour for better comfort.

LINING

Closest to the body is a lining, sewn-in or removable. Usually made from ventilated mesh, temperature-regulating Outlast® or a warm, quilted lining.







COLLECTION 2020

All Weather
Technology page **10**



Flow
Technology page **22**



Shield
Technology page **32**



page **38**



Gloves

page **42**



Accessories

page **43**



Boots



COLLECTION
2020

All Weather Technology



Under the All Weather Technology umbrella you can find our finest water and windproof garments with high breathability function (DRYWAY and DRYWAY+). The garments are made to withstand practically all kinds of riding weather. The range consists of abrasion resistant materials and HI-ART, our exclusive reinforcement material. For temperature-regulation we use OUTLAST and as insulation INNOBORNE and THINSULATE. All products are CE approved (prEN 17092) having AA or A level of protection.



COLLECTION 2020 All Weather Technology

LUXOR
page 12



LUX PANTS
page 12



OMAN
page 13



ZHIVAHO
page 14



ZHIVA
page 15



HALDEN
page 16



HALDEN
LADY
page 17



OMAN PANTS
page 13



ZH PANTS
page 14



ZH LADY
page 15



VOLDA
PANTS
page 16



VOLDA
PANTS LADY
page 17



ZAGREB
page 18



ZAGREB LADY
page 18



CHEOPS
page 19



CHE LADY
page 19



HAMAR
page 20



FERGUS
page 20



ZION PANTS
LADY
page 21



ZION PANTS
page 21



**All Weather
Technology**

LUXOR



720-52380000



720-52380090

720-52380009

Breathable, wind and waterproof 2-layer laminated jacket

420D COMPACT HI-DURABILITY PA WEAVE

- 2-layer laminated construction with Dryway+® functional membrane
- Water repellent Teflon® treatment to outer material
- HI-ART® reinforcement at shoulders and elbows
- Removable Outlast® temperature regulating lining with Thinsulate®
- CE certified to class AA

Adjustable level 2, CE certified protectors at shoulders and elbows / Large ventilation openings front and back / Long connection zipper to pants / Adjustable waist, collar, hem, arms and sleeve ends / Large cargo pockets / Reflectors

Size Men's
48-64

499 EUR / 4 995 SEK
4 995 NOK / 429 GBP



LUX PANTS

720-52370000



Breathable, wind and waterproof 2-layer laminated pants

420D COMPACT HI-DURABILITY PA WEAVE

- 2-layer laminated construction with Dryway+® functional membrane
- Water repellent Teflon® treatment to outer material
- HI-ART® reinforcement at shoulders and elbows
- Removable Outlast® temperature regulating lining with Thinsulate®
- CE certified to class AA

Adjustable level 2, CE certified protectors at hips and knees / Large ventilation openings on legs / Long connection zipper to jacket / Adjustable waist and leg ends / Reflectors / Leather reinforced seat / Detachable braces

Size Men's
48-62

399 EUR / 3 995 SEK
3 995 NOK / 339 GBP





OMAN



720-52420073

Multifunctional, breathable, wind and waterproof technical textile jacket

GOOD HI-TENACITY PE WEAVE

- Removable Dryway+ 2.0 functional membrane
- DWR (Durable Water Repellent) treated outer material
- Hi-Art® reinforcement at shoulders and elbows
- Removable thermal vest lining with Innoborn® insulation
- CE certified to class AA

Adjustable level 2, CE certified protectors at shoulders and elbows / Large ventilation openings front and back / Long connection zipper to pants / Adjustable waist, collar, hem, arms and sleeve ends / Large cargo pockets / Reflectors

Size Men's	499 EUR / 4995 SEK
46-64	4 995 NOK / 419 GBP



720-52430073



OMAN PANTS



720-20080500

Multifunctional, breathable, wind and waterproof technical textile pants

GOOD HI-TENACITY PE WEAVE

- Removable Dryway+ 2.0 functional membrane
- DWR (Durable Water Repellent) treated outer material
- Hi-Art® reinforcement at shoulders and elbows
- Removable thermal lining with Innoborne® insulation
- CE certified to class AA

Adjustable level 2, CE certified protectors at hips and knees / Vented openings on legs / Stretch panels at inseams and back / Long connection zipper to jackets / Adjustable waist and leg ends / Reflectors / Detachable braces

Size Men's	399 EUR / 3 395 SEK
46-62	3 395 NOK / 289 GBP



**All Weather
Technology**

ZHIVAGO



720-52500015



720-52500000

Lightweight breathable, wind and waterproof technical textile jacket

600D HI-TENACITY PE WEAVE

- Dryway+ @ functional membrane
- HI-ART@ reinforcement at shoulders and elbows
- CE certified to class AA

Adjustable level 1, CE certified protectors at shoulder and elbows / Can be supplemented with back protection / Ventilation opening front and back / Mesh lined pockets on sleeves for increased circulation / Long connection zipper to pants / Adjustable hem and sleeve ends / Reflectors

Size Men's **299 EUR / 2 995 SEK**
46-62 **2 995 NOK / 249 GBP**



Lightweight breathable, wind and waterproof technical textile pants

600D HI-TENACITY PE WEAVE

- Dryway+ @ functional membrane
- HI-ART@ reinforcement at shoulders and elbows
- CE certified to class AA

Adjustable level 1, CE certified protectors at hips and knees / Ventilation openings on legs / Long connection zipper to jacket / Adjustable waist and leg ends / Reflectors / Detachable braces

Size Men's **299 EUR / 2 995 SEK**
46-60, 548-558 **2 995 NOK / 249 GBP**



ZH PANTS



720-52490000

ZHIVA



720-53500000

Lightweight breathable, wind and waterproof technical textile jacket

600D HI-TENACITY PE WEAVE

- Dryway+ @ functional membrane
- HI-ART® reinforcement at shoulders and elbows
- CE certified to class AA

Adjustable level 1, CE certified protectors at shoulder and elbows / Can be supplemented with back protection / Ventilation opening front and back / Mesh lined pockets on sleeves for increased circulation / Long connection zipper to pants / Adjustable hem and sleeve ends / Reflectors

Size Ladies
34-46

299 EUR / 2 995 SEK
2 995 NOK / 249 GBP



CE
AA

ZH LADY



720-53490000

Lightweight breathable, wind and waterproof technical textile pants

600D HI-TENACITY PE WEAVE

- Dryway+ @ functional membrane
- HI-ART® reinforcement at shoulders and elbows
- CE certified to class AA

Adjustable level 1, CE certified protectors at hips and knees / Ventilation openings on legs / Long connection zipper to jacket / Adjustable waist and leg ends / Reflectors / Detachable braces

Size Ladies
34-46, 538-546

299 EUR / 2 995 SEK
2 995 NOK / 249 GBP



CE
AA

**All Weather
Technology**

HALDEN



720-20060100



720-20060104

Multifunctional, breathable, wind and waterproof technical textile jacket

GOOD HI-TENACITY PE WEAVE

- Dryway+ @ functional membrane
- CE certified to class AA

Detachable thermal lining / Adjustable level 1, CE certified protectors at shoulder and elbows / Can be supplemented with back protector / Open back vent for increased ventilation / Long connection zipper to pants / Adjustable collar, waist, hem and sleeve ends

Size Men's **179 EUR / 1 895 SEK**
Black 46-66 Black / Yellow 48-62 **1 895 NOK / 155 GBP**



720-20080100

VOLDA PANTS

Multifunctional, breathable, wind and waterproof technical textile pants

GOOD HI-TENACITY PE WEAVE

- Dryway@ function membrane
- CE certified to class AA

Removable thermal lining / Adjustable level 1, CE certified protectors at hips and knees / Ventilation opening on legs / Elastic stretch panels above knees / connection zipper to jacket / Adjustable waist and leg ends / Reflectors

Size Men's **155 EUR / 1 595 SEK**
46-62, 100-124 **1 595 NOK / 129 GBP**



HALDEN LADY



720-20050104



720-20050100

Multifunctional, breathable, wind and waterproof technical textile jacket

600D HI-TENACITY PE WEAVE

- Dryway+® functional membrane
- CE certified to class AA

Detachable thermal lining / Adjustable level 1, CE certified protectors at shoulder and elbows / Can be supplemented with back protector / Open back vent for increased ventilation / Long connection zipper to pants / Adjustable collar, waist, hem and sleeve ends

Size Ladies

Black 34-50 Black / Yellow 36-46

179 EUR / 1 895 SEK

1 895 NOK / 155 GBP



CE
AA

VOLDA PANTS LADY



720-20070100

Multifunctional, breathable, wind and waterproof technical textile pants

600D HI-TENACITY PE WEAVE

- Dryway® function membrane
- CE certified to class AA

Removable thermal lining / Adjustable level 1, CE certified protectors at hips and knees / Ventilation opening on legs / Elastic stretch panels above knees / connection zipper to jacket / Adjustable waist and leg ends / Reflectors

Size Ladies
34-48, 20-25

155 EUR / 1 595 SEK

1 595 NOK / 129 GBP



CE
AA

All Weather Technology

ZAGREB



720-20060200



720-20060873

Lightweight breathable, wind and waterproof technical textile jacket with detachable hooded softshell inner vest

GOOD HI-TENACITY PE WEAVE

- Dryway+ @ functional membrane
- HI-ART@ reinforcement at shoulders and elbows
- CE certified to class AA

Detachable hooded softshell vest / Adjustable level 1, CE certified protectors at shoulder and elbows / Can be supplemented with back protection / Ventilation openings on front and back / Long connection zipper to pants / Adjustable hem and sleeve ends / Reflectors

Size Men's 48-62 349 EUR / 3 495 SEK
3 495 NOK / 299 GBP



720-20050873



ZAGREB LADY



720-20050800

Lightweight breathable, wind and waterproof technical textile jacket with detachable hooded softshell inner vest

GOOD HI-TENACITY PE WEAVE

- Dryway+ @ functional membrane
- HI-ART@ reinforcement at shoulders and elbows
- CE certified to class AA

Detachable hooded softshell vest / Adjustable level 1, CE certified protectors at shoulder and elbows / Can be supplemented with back protection / Ventilation openings on front and back / Long connection zipper to pants / Adjustable hem and sleeve ends / Reflectors

Ladies 36-46 349 EUR / 3 495 SEK
3 495 NOK / 299 GBP



CHEOPS



720-52440008

Short, breathable, wind and waterproof technical textile jacket

900D HEAVY HI-TENACITY PE WEAVE

- Dryway+ @ functional membrane
- HI-ART® reinforcement at shoulders and elbows
- CE certified to class AA

Detachable thermal vest lining / Adjustable level 2, CE certified protectors at shoulder and elbows / Can be supplemented with back protection / openings on front and back / Long connection zipper to pants / Adjustable hem and sleeve ends / Reflectors

Size Men's	249 EUR / 2 495 SEK
48-62	2 495 NOK / 219 GBP



720-53440002

Short, breathable, wind and waterproof technical textile jacket

900D HEAVY HI-TENACITY PE WEAVE

- Dryway+ @ functional membrane
- HI-ART® reinforcement at shoulders and elbows
- CE certified to class AA

Detachable thermal vest lining / Adjustable level 2, CE certified protectors at shoulder and elbows / Can be supplemented with back protection / openings on front and back / Long connection zipper to pants / Adjustable hem and sleeve ends / Reflectors

Size Ladies	249 EUR / 2 495 SEK
36-46	2 495 NOK / 219 GBP



CHE LADY



720-53440008

**All Weather
Technology**

HAMAR



720-20060214

Multifunctional, breathable, wind and waterproof technical textile jacket

600D HI-TENACITY PE WEAVE

- Dryway+ @ functional membrane
- CE certified to class AA

Adjustable level 1, CE certified protectors at shoulder and elbows / Can be supplemented with back protector / Ventilation opening front and back / Detachable thermal lining / Long connection zipper to pants / Adjustable waist, hem and sleeve ends / Reflectors

Size Men's
Black 46-64, Fog/Black 48-62

210 EUR / 2 195 SEK
2 195 NOK / 179 GBP



**CE
AA**



720-20060200

FERGUS



720-20060997

Lightweight breathable, wind and waterproof technical textile jacket

DRY WAX TREATED HI-TENACITY PE CANVAS

- Dry Wax treated canvas fabric
- Dryway+ @ functional membrane
- HI-ART@ reinforcement at shoulders and elbows
- CE certified to class A

Adjustable level 1, CE certified protectors at shoulder and elbows / Can be supplemented with back protection / openings / Long connection zipper to pants / Adjustable hem and sleeve ends

Size Men's
46-62

299 EUR / 2 995 SEK
2 995 NOK / 254 GBP



**CE
A**



720-20060935



ZION PANTS

720-20081075

720-20081000

Lightweight breathable, wind and waterproof technical textile Cargo pants

600D HI-TENACITY PE WEAVE

- Detachable Dryway+® functional membrane
- HI-ART® reinforcement at hips and knees
- CE certified to class AA

Adjustable level 1, CE certified protectors at hips and knees / Long connection zipper to jacket / Large cargo pockets on thighs / Leg ends

Size Men's	199 EUR / 1 995 SEK
46-60	1 995 NOK / 169 GBP



ZION PANTS LADY

720-20071000

720-20071075

Lightweight breathable, wind and waterproof technical textile Cargo pants

600D HI-TENACITY PE WEAVE

- Detachable Dryway+® functional membrane
- HI-ART® reinforcement at hips and knees
- CE certified to class AA

Adjustable level 1, CE certified protectors at hips and knees / Long connection zipper to jacket / Large cargo pockets on thighs / Leg ends

Size Ladies	199 EUR / 1 995 SEK
34-46	1 995 NOK / 169 GBP



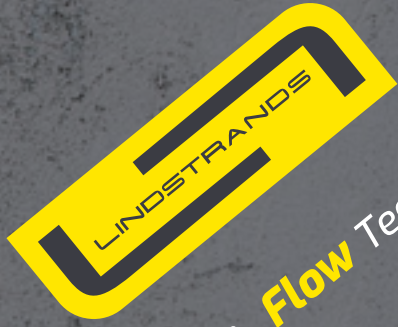


COLLECTION
2020

Flow Technology

A man with short brown hair, wearing a dark grey button-down jacket and blue jeans, stands next to a black and silver motorcycle on a cobblestone city street. The background shows multi-story buildings under a clear sky. A large yellow diagonal graphic element is on the right side of the page.

Garments made to keep you cool in hot weather. Air flows through the fabric for a comfortable ride. The products are CE approved (prEN 17092) having AAA, AA, A or B level of protection. The Flow Technology category also consists of light weight rain gear.



COLLECTION 2020 **Flow** Technology



NYHAM
page 24

ZAPPA
page 24



ZIGGY
page 25



MAYSON
page 26



MAYSON LADY
page 26



MACAN
page 27



MACAN LADY
page 27



WRAP PANTS
page 28



WRAP PANTS LADY
page 28



DW+ JACKET
page 29



DW+ PANTS
page 29



RC GLOVE
page 30



RC BOOTS
page 30



WP SUIT
page 30

Flow Technology

NYHAMN



720-20060397

Extremely breathable technical mesh jacket for dry and hot conditions

GOOD HI-TENACITY PE MESH / WEAVE

- CE certified to class A Open back vent for increased ventilation / Adjustable level 1, CE certified protectors at shoulder and elbows / Can be supplemented with back protector / Long connection zipper to pants / Adjustable hem and sleeve ends / Reflectors

Size Men's 159 EUR / 1 695 SEK
Black 46-66 1 695 NOK / 139 GBP

CE
A

ZAPPA



720-52390009

Breathable technical shirt for dry conditions

BRUSHED HI-TENACITY PE TWEED

- CE certified in class A

Reinforcing mesh lining / Adjustable level 1, CE certified protectors at shoulder and elbows / Can be supplemented with back protection / Ventilation openings / Long connection zipper to pants / Reflectors

Size Men's 179 EUR / 1 995 SEK
S-4XL 1 995 NOK / 169 GBP

CE
A

ZIGGY



720-50920509

Breathable technical hooded jacket for dry conditions

600D HI-TENACITY PE WEAVE

• CE certified to class B

Can be supplemented with adjustable level 1 or level 2, CE certified protectors at shoulder and elbows / Can be supplemented with back protector / Ventilation openings / Long connection zipper to pants / Detachable hood / hem and sleeve ends / Reflectors

Size Men's	149 EUR / 1 495 SEK
46-62	1 495 NOK / 129 GBP

CE
B



Flow
Technology

MAYSON



720-52420300



720-52420350

Riding Jeans in Stretch denim

WASHED 11,2 OZ CO/PE/EL STRETCH DENIM

• CE certified to class B

Washed Stretch Denim construction / HI-ART® reinforcement at hip and knees / Five pockets

Size Men's	149 EUR / 1 495 SEK
46-58, 548-556	1 495 NOK / 129 GBP

CE
B



MAYSON LADY

720-53420350



720-53420300

Riding Jeans in Stretch denim

WASHED 11,2 OZ CO/PE/EL STRETCH DENIM

• CE certified to class B

Washed Stretch Denim construction / HI-ART® reinforcement at hip and knees / Five pockets

Size Ladies	149 EUR / 1 495 SEK
34-46, 536-546	1 495 NOK / 129 GBP

CE
B

MACAN



720-52290350

Robust riding Jeans

WASHED 15 OZ CO/PE/ARAMID DENIM

- CE certified to the highest class AAA

Aramid (Kevlar) Denim construction / Adjustable level 1, CE certified protectors at hip and knees / Five pockets

Size	249 EUR / 2 495 SEK
48-58, 550-558	2 495 NOK / 209 GBP

CE
AAA

MACAN LADY



720-53290350

Robust riding Jeans

WASHED 15 OZ CO/PE/ARAMID DENIM

- CE certified to the highest class AAA

Aramid (Kevlar) Denim construction / Adjustable level 1, CE certified protectors at hip and knees / Five pockets

Size Ladies	249 EUR / 2 495 SEK
38-46	2 495 NOK / 209 GBP

CE
AAA

Flow Technology

WRAP PANTS



720-50870300

Washed Denim Jeans

WASHED 13 OZ CO/PE DENIM

- HI-ART® reinforcement at hip and knees
- CE certified to class B

Can be supplemented with adjustable CE certified protectors
/ Five pockets

Size Men's	99 EUR / 995 SEK
XS-2XL, Blue SL-S2XL	995 NOK / 89 GBP

CE
B



WRAP PANTS LADY

720-53870300

Washed Denim Jeans

WASHED 13 OZ CO/PE DENIM

- HI-ART® reinforcement at hip and knees
- CE certified to class B

Can be supplemented with adjustable CE certified protectors
/ Five pockets

Size Ladies	99 EUR / 995 SEK
XS-XL	995 NOK / 89 GBP

CE
B

DW+ JACKET



720-20060604



720-20060600

Rain jacket in breathable stretch fabric that fits over any riding jacket

PE FLEX 100

Taped seams / Elastic in sleeves and adjustable hem / Mesh lined / Reflectors

Sizes	79 EUR / 795 SEK
XS-3XL	795 NOK / 69 GBP

DW+ PANTS



720-20080700

Rain pants in breathable stretch fabric that fits over any riding pants

PE FLEX 100

Taped seams / Adjustable in waist and leg / Side zippers / Mesh lined / Reflecting panels

Size	69 EUR / 695 SEK
XS-2XL	695 NOK / 59 GBP

Flow Technology

WP SUIT



720-62470040

Waterproof one-piece rain suit

LIGHTWEIGHT HI-DURABILITY PA WEAVE

Taped seams / Easy to get into thanks to large openings in front and on legs / Full mesh lined / Hidden hood / Adjustable waist belt / Reflectors

Size	99 EUR / 995 SEK
S-3XL	995 NOK / 84 GBP



RC BOOTS

720-62100000

Waterproof boot cover

LIGHTWEIGHT HI-DURABILITY PA WEAVE

Taped seams / Opening bottom

Size	24 EUR / 245 SEK
S-L	245 NOK / 19 GBP



RC GLOVE

720-62110000

Waterproof three finger over glove

LIGHTWEIGHT HI-DURABILITY PA WEAVE

Taped seams

Size	29 EUR / 295 SEK
S-L	295 NOK / 24 GBP





COLLECTION
2020

Shield Technology



All AAA, AA and A jackets come with shoulder and elbow protectors and all AAA, AA and A pants come with hip and knee protectors. Back protectors are optional. All protectors are CE certified to levels 2 and 1. All our protectors are ergonomically pre-formed and they can easily be adjusted for a perfect personal fit.



COLLECTION 2020 **Shield** Technology



HUNTLY
page 34



SHIELD L2
page 34



RIDGE
page 35



PROTECTOR SET / PANTS Level 2
page 35



PROTECTOR SET / PANTS Level 1
page 35



HUNTLY CAP
page 34

Shield Technology

HUNTLY CAP



710-65830100

Stand alone back protector

IMPACT ABSORBING MODIFIED POLYURETHA

Highly impact absorbent / Stable adjustable waist belt / Weighing only 220g (size M) / CE certified to the highest protection class, level 2

Size	119 EUR / 1 295 SEK
S-L	1 295 NOK / 109 GBP

HUNTLY



710-65820000

Back protector

IMPACT ABSORBING MODIFIED POLYURETHAN

Highly impact absorbent / Weighing only 180g (size M) / CE certified to the highest protection class, level 2 / The smallest size fits in to all lining pockets

Size S-L for optimal safety and comfort

Size	79 EUR / 795 SEK
S-L	795 NOK / 64 GBP

SHIELD L2



710-65650000

Stand alone back protector

IMPACT ABSORBING MODIFIED POLYURETHAN

Highly impact absorbent / CE certified to the highest protection class, level 2 / Stable waist belt that can be adjusted for height and width / Moldable to body shape / The protection is compatible with the Corpus & Torso products

Size	129 EUR / 1 295 SEK
S-L	1 295 NOK / 114 GBP

RIDGE



710-65810000

Stand alone back protector

IMPACT ABSORBING MODIFIED POLYURETHAN

Highly impact absorbent / Stable adjustable waist belt / Weighing only 220g (size M) / CE certified to the highest protection class, level 2

Size	149 EUR / 1 495 SEK
S-L	1 495 NOK / 129 GBP



**PROTECTOR
SET / PANTS**
Level 1

Men's 710-60410000 Ladies 710-60420000

Level 1 Limb protectors

IMPACT ABSORBING MODIFIED POLYURETHAN

Developed for our pants with Lindstrands Safety Attach System - S.A.S / CE certified hip and knee protection set / Tested and certified according to level 1 protection class

29 EUR / 295 SEK
295 NOK / 24 GBP



**PROTECTOR
SET / PANTS**
Level 2

Men's 710-60290000 Ladies 710-60310000

Level 2 Limb protectors

IMPACT ABSORBING MODIFIED POLYURETHAN

Developed for our pants with Lindstrands Safety Attach System - S.A.S / Tested and certified to the highest protection class / Adjustable level 2, CE certified protectors for hips and knees

39 EUR / 395 SEK
395 NOK / 29 GBP



COLLECTION
2020

Gloves Accessories Boots





COLLECTION 2020 **Gloves Accessories Boots**



ORBIT
page 38

GREIP
page 38



AJAX
page 39



VIDAR
page 39



AERATE
page 40



KNOCK
page 40



LAUDER
page 41



COAL
page 41



CHASSY
page 42



BAG
page 42



BAG SMALL
page 42



DRIZZLE
page 43



SPLASH
page 43



ORBIT

All Weather Tech Gloves



720-51800000

Light weight waterproof and breathable summer glove

GOOD HI-TENACITY PE WEAVE

- Dryway+ @ functional membrane
- HI-ART® reinforcement in the palm area
- MC-fit technology to keep lining in place

Goat skin / Textile construction / CE certified, level 1 with knuckle protection

Size	99 EUR / 999 SEK
5-14	999 NOK / 79 GBP



720-63360000

GREIP

All Weather Tech Gloves

Short waterproof and breathable textile glove

COMPACT PE/PA COMBI

- Dryway+ @ functional membrane
- HI-ART® reinforcement in the palm area
- Skin Fit, technology that keeps lining in place
- CE certified, level 1

Textile construction

Size	49 EUR / 499 SEK
5-14	499 NOK / 40 GBP



AJAX

Warm Tech Gloves



720-51790000

Warm sporty waterproof and breathable glove

GOAT NAPPA / HI-DURABILITY PA FLEX

- Dryway+® functional membrane
- HI-ART® reinforcement at palm area
- Thinsulate® thermal lining
- MC-fit technology to keep lining in place
- CE certified, level 1 with knuckle protection

Goat skin / Textile construction / Reflectors

Size 5-14
79 EUR / 799 SEK
799 NOK / 69 GBP



VIDAR

Warm Tech Gloves



720-63350000

Warm and light weight waterproof and breathable glove

GOAT NAPPA / COMPACT PE/PA COMBI

- Dryway+® functional membrane
- HI-ART® reinforcement in the palm area
- Thinsulate® thermal lining
- Skin Fit technology to keep lining in place
- CE certified, level 1 with knuckle protection

Goat skin / Textile construction

Size 5-14
65 EUR / 699 SEK
699 NOK / 49 GBP



AERATE

Cool Tech Gloves



720-51810000

Robust, ventilated summer glove

GOAT NAPPA / PE SOFTSHELL

- HI-ART® reinforcement in the palm area
- CE certified, level 1 with knuckle protection

Goat skin / Textile construction / Hard knuckle protection

Size	79 EUR / 799 SEK
5-14	799 NOK / 69 GBP



720-65060009

KNOCK

Cool Tech Gloves

Light summer glove

GOAT NAPPA / HI-DURABILITY PA FLEX

- Hi-Art® reinforced at palm area
- Skin Fit technology to keep lining in place
- CE certified, level 1 with knuckle protection

Goat skin / Textile construction / Touch screen panel on index finger

Size	75 EUR / 749 SEK
5-14	749 NOK / 64 GBP



LAUDER

Cool Tech Gloves



720-20110144



720-20110100

Thin leather retro glove

GOAT NAPPA

- HI-ART® reinforcement at palm area
- CE certified, level 1

Goat skin / Touch screen panel on first finger

Size	55 EUR / 599 SEK
5-14	599 NOK / 49 GBP



COAL

Cool Tech Gloves



720-0220000

Technical off-road glove

NEOPRENE

Neoprene construction / Silicone Grip in the palm area

Size	34 EUR / 349 SEK
XS-2XL	349 NOK / 29 GBP



720-20130100

Hooded softshell jacket

BRUSHED HI-TENACITY PE SOFT SHELL

Smooth softshell / Three pockets / Adjustable waist

Size	89 EUR / 899 SEK
XS-3XL	899 NOK / 79 GBP



BAG

720-52020000

Large motorcycle tail pack

HI-DURABILITY PA WEAVE

Large 52 L capacity / Easily attached using 4 straps included / One large and two small compartments with waterproof inner bags / Anti-slip material on bottom

Size	109 EUR / 995 SEK
52 L	995 NOK / 84 GBP



BAG SMALL

720-52060000

Small motorcycle tail pack

HI-DURABILITY PA WEAVE

42 L capacity / Easily attached using 4 straps included / One large and two small compartments with waterproof inner bags / Anti-slip material on bottom

Size	99 EUR / 895 SEK
42 L	895 NOK / 74 GBP

DRIZZLE



720-75004130



720-75004100

Waterproof, breathable riding boots with a casual look

COW NUBUCK

- Dryway + @ functional membrane
- CE certified, level 1

Nubuck construction / Ankle protection / Steel shank sole insert

Size	149 EUR / 1 495 SEK
38-48	1 495 NOK / 129 GBP



SPLASH



720-75003900

Waterproof, breathable riding boots

MICROFIBER PE DURA

- Dryway + @ functional membrane
- CE certified, level 1

Taped seams / Adjustable in waist and leg / Side zippers / Mesh lined / Reflecting panels

Size	149 EUR / 1 495 SEK
36-39,42-48	1 495 NOK / 129 GBP



BRANDED MATERIAL EXPLANATION

We are blighted by an almost obsessive desire to produce gear that is, as comfortable to wear as it is safe to ride in. It's why we spend so much time researching fabrics, new technologies and different construction methods. It's a never ending pursuit. There's always a way to improve a garment. And there's always a new development that will help to improve biker's lives.

HiArt for example is a material that we ourselves developed as an abrasion resistant backing material used in almost every product we produce. It can increase the strength of textile by up to 500% and leather by 200%. Of course not all the technologies we use are designed in house so we make use of highly regarded materials and membranes like Dryway and Dryway+ to keep you dry and comfortable, Outlast linings to regulate temperature, Thinsulate to keep you warm and TFL to reflect heat when it's hot. Each of these technologies is rigorously tested and selected to suit our exact needs for the product we design. Outer materials are chosen for their strength and durability. The thread used in stitching is selected for strength while the size of the stitch is carefully calculated to offer maximum strength.

But the very best materials form only part of the equation. Just as important as the technology is the comfort and fit of the garment for quite simply, a rider who is relaxed and comfortable on the bike is a rider who can focus all his attention and energies to staying alert and safe. This is why the materials we use are not just effective in keeping you safe but also soft and supple, chosen for their lightness and ease of use. It doesn't stop there. All of our fitted protectors are adjustable for a perfect individual fit with adjustable hems, cuffs and waist areas to further emphasise this.

Put on one of our products and you will see what we mean. All of which increases the chances of you arriving home safe and relaxed.

CLOTHES MADE FROM THE RIGHT STUFF

When we create new products, we set ourselves high standards. Our secret recipe for success is a century of craftsmanship blended with high technology. The result is motorcycle gear that's far ahead of the pack. Just ask any of the professional motorcyclists who wear our garments daily, for instance, we have great response from some of the police forces around Europe. In this section you can read all about the techniques and methods we use to keep you safe and comfortable on the road.

HI-ART HI-ART®

HI-ART is a proprietary material developed by us. We use the material in especially exposed areas to increase abrasion resistance. It makes leather 200 per cent stronger and textiles no less than 500 per cent stronger. We are extremely proud of our invention and of being alone in offering you this solution.

TRIPLE STITCH 3STITCH

A garment is never stronger than its seams. It makes no difference how good the material is if the seams break. Following a multitude of tests, we have found a technique that provides maximum durability. We use a well-balanced stitch density, a heavy-duty, hard-wearing thread in triple stitched seams in exposed areas.

 **Outlast®** is a high-tech material that regulated the temperature inside the garment. It was originally developed to protect astronauts against extreme temperature changes and has since then been further developed to work in motorcycle wear as well. The lining consists of millions of microscopic paraffin wax capsules that absorb, store and release excess heat to keep you feeling comfortable out on the road.

Read more at outlast.com



Maximum Comfort FIT technology in gloves laminates the liner and membrane with the outer shell for a perfect fit and prevents the liner from following your hand when removed.

SKIN FIT SKIN FIT

A technology used to secure glove linings and membranes. Where used the lining and membrane will remain firmly attached and not follow your hand when removed.



TEFLON®

A Teflon treatment on a garment will keep water and dirt away. It also allows the garment to dry quicker.

Read more at teflon.com



Dryway+2.0®, Dryway+® and Dryway®

Dryway+2.0, Dryway+ and Dryway are wind and waterproof membranes that keeps you dry even in the wettest, windiest weather. The material allows moisture vapor to escape from the inside while keeping wind and rain out.

Our latest functional membrane, Dryway+2.0, has a waterproofing value of 10,000mm and a 30,000g/m²/24h breathability value. Keep in mind that a membranes function relies upon the difference in humidity between the inside and outside. If an external heat source is applied such as heated grips or seats, the membrane will work in reverse.



DWR

An extra water repellent treatment on some of our textile and leather products providing additional comfort to the user. Garments treated with a DWR will shed water more efficiently, retain their breathability properties and dry faster while also being easier to keep clean.

TFL COOL SYSTEM

TFL Cool System®

Black leather can easily become hot in the sun. Therefore we use TFL Cool System – an innovation that ensures black leather to not absorb more heat than lighter coloured materials. Once it has been treated, 80 per cent of the heat radiation is reflected away and the garment can be up to 20 °C cooler.



INNOBORNE®

An insulating material capable of retaining heat longer than even wool yet is light weight, quick drying and transports moisture efficiently away from the body. Consist of 100% Olefin / Polypropylene.



THINSULATE®

Sometimes warm clothes can feel awkward and bulky, but thanks to Thinsulate our garments are light and supple, while also keeping you warm. The secret behind the material is in the unique microfibrils that helps trap body heat, while allowing moisture to escape.

Read more at thinsulate.com



The CE label shows that the product complies with an approved safety standard based on advanced testing and accident studies.



If a jacket bears this symbol it has a pocket in the lining, or an advance attaching system placed between the outer material and lining where you can adjust the position to your personal fitting.



The product has CE-approved protection level 1 and Velcro fasteners for easy adjustment. Jackets have shoulder and elbow armour. Pants have hip and knee armour.



This product has armour that achieves Level 2, the highest level according to EN 1621-1:2012. Velcro attachments for personal fit. Jackets have shoulder and elbow armour. Pants have hip and knee armour. Elbow and knee armour are designed to provide more protection on the outside of the knee/elbow.

SIZE and FIT

Looking good and feeling comfortable on the road demands the right size clothes. What many forget is that a good fit is also important for safety. Because it's essential for protectors to be positioned correctly, we make adjustments possible by attaching protection with Velcro. Also, remember to try on the garments together with the clothes you usually wear when riding your MC. And don't be afraid to ask our personnel for help. The best way to find the right size is to visit one of our dealers. They'll help you find the right fit when you need new equipment.

MEN'S

Normal Size		46	48	50	52	54	56	58	60	62	64	66
D-Size				100	104	108	112	116	120	124		
Long leg		L46	L48	L50	L52	L54	L56	L58	L60	L62	L64	L66
Short leg		S46	S48	S50	S52	S54	S56	S58	S60	S62	S64	S66
Inches	29-30	30-31	32-33	34-35	36-37	38-39	40-41	42-43				
Unisex Size	XS	S	M	L	XL	2XL	3XL	4XL				

D-Size: Leg length -5cm, waist +9 cm, seat +4 cm. Short leg: -8 cm. Long leg: +5 cm

WOMEN'S

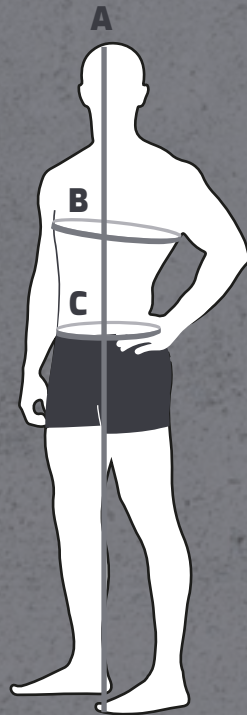
Normal Size		34	36	38	40	42	44	46	48	50
D-Size				20	21	22	23	24	25	
Short leg		S34	S36	S38	S40	S42	S44	S46	S48	S50
Unisex Women's	Lady XS	Lady S	Lady M	Lady L	Lady XL	Lady 2XL	Lady 3XL			
Inches	26-27	27-28	29-30	31-32	33-34	35-36	37-38			
Unisex Size		XS	S	M	L	XL	2XL			

D-Size: Leg length -5cm, waist +6 cm, seat +9 cm. Short leg: -8 cm

GLOVES

Size	5	6	7	8	9	10	11	12	13	14
Unisex glover	XS		S		M		L		XL	2XL

MEN'S

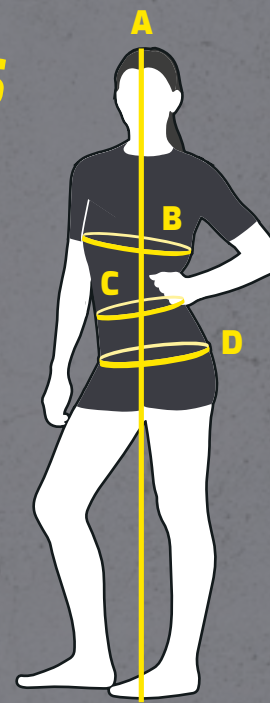


A	Height (cm)	Size
	172 – 178	= 46
	174 – 180	= 48
	176 – 182	= 50
	178 – 184	= 52
	180 – 186	= 54
	182 – 188	= 56
	184 – 190	= 58
	186 – 192	= 60
	188 – 194	= 62
	190 – 196	= 64
	192 – 198	= 66

B	Chest (cm)	Size
	90 – 94	= 46
	94 – 98	= 48
	98 – 102	= 50
	102 – 106	= 52
	106 – 110	= 54
	110 – 114	= 56
	114 – 118	= 58
	118 – 122	= 60
	122 – 126	= 62
	126 – 130	= 64
	130 – 134	= 66

C	Waist (cm)	Size
	78 – 82	= 46
	82 – 86	= 48
	86 – 90	= 50
	90 – 94	= 52
	94 – 98	= 54
	98 – 102	= 56
	102 – 106	= 58
	106 – 110	= 60
	110 – 114	= 62
	114 – 118	= 64
	118 – 122	= 66

LADIES



A	Height (cm)	Size
	158 – 164	= 34
	160 – 166	= 36
	162 – 168	= 38
	164 – 170	= 40
	166 – 172	= 42
	168 – 174	= 44
	170 – 176	= 46
	172 – 178	= 48
	174 – 180	= 50

B	Chest (cm)	Size
	80 – 84	= 34
	84 – 88	= 36
	88 – 92	= 38
	92 – 96	= 40
	96 – 100	= 42
	100 – 104	= 44
	104 – 108	= 46
	108 – 112	= 48
	112 – 116	= 50

C	Waist (cm)	Size
	64 – 68	= 34
	68 – 72	= 36
	72 – 76	= 38
	76 – 80	= 40
	80 – 84	= 42
	84 – 88	= 44
	88 – 92	= 46
	92 – 96	= 48
	96 – 100	= 50

D	Hip (cm)	Size
	88 – 92	= 34
	92 – 96	= 36
	96 – 100	= 38
	100 – 104	= 40
	104 – 108	= 42
	108 – 112	= 44
	112 – 116	= 46
	116 – 120	= 48
	120 – 124	= 50

CARE INSTRUCTIONS

Coming in from the rain – Let wet garments dry slowly at room temperature. Leather garments should not be dried at too high a temperature and never in an airing cupboard or on a radiator as this will make garments stiff and hard. Leather garments – Leather garments must never dry out completely. Because dry leather fibres break easily under stress such as an accident, treat leather regularly with e.g. Nikwax Waterproof Wax for Leather so that it retains its natural elasticity. Use a mild soap solution or leather soap such as Nikwax Leather Cleaner two or three times a year to ensure garments last year in, year out. Always test it first somewhere that doesn't show e.g. inside. Textile garments – To keep textile garments clean, wash them according to their washing instructions; we recommend the use of Nikwax Tech Wash. But don't forget to remove the armour. You should waterproof outer garments often, preferably every three washes. Use Nikwax TX Direct for functional clothing.



Product development:

Källvägen 17
SE-782 33 MALUNG
SWEDEN

Find your dealer at:
lindstrandsmc.com

 facebook.com/lindstrandsmc

 instagram@lindstrandsmc

**FOR THE
EXTRA MILE**

LINDSTRANDSMC.COM